

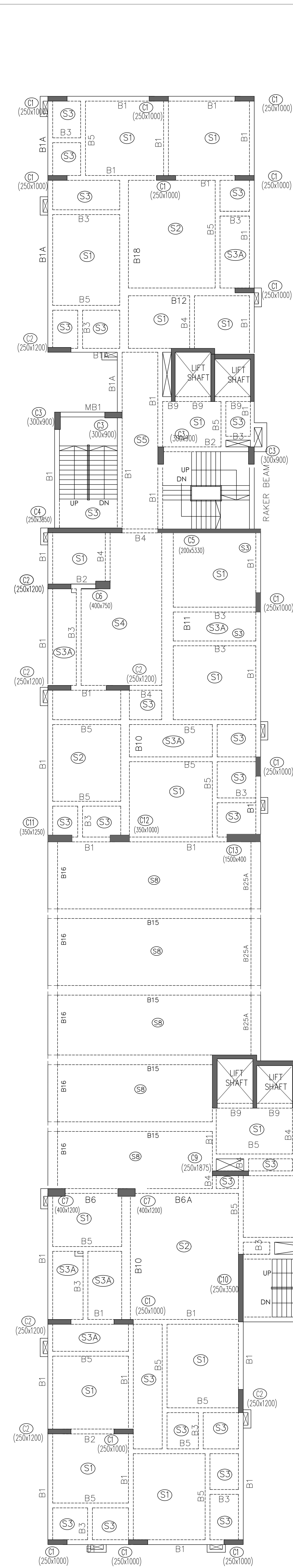
5TH FLOOR BEAM LAYOUT



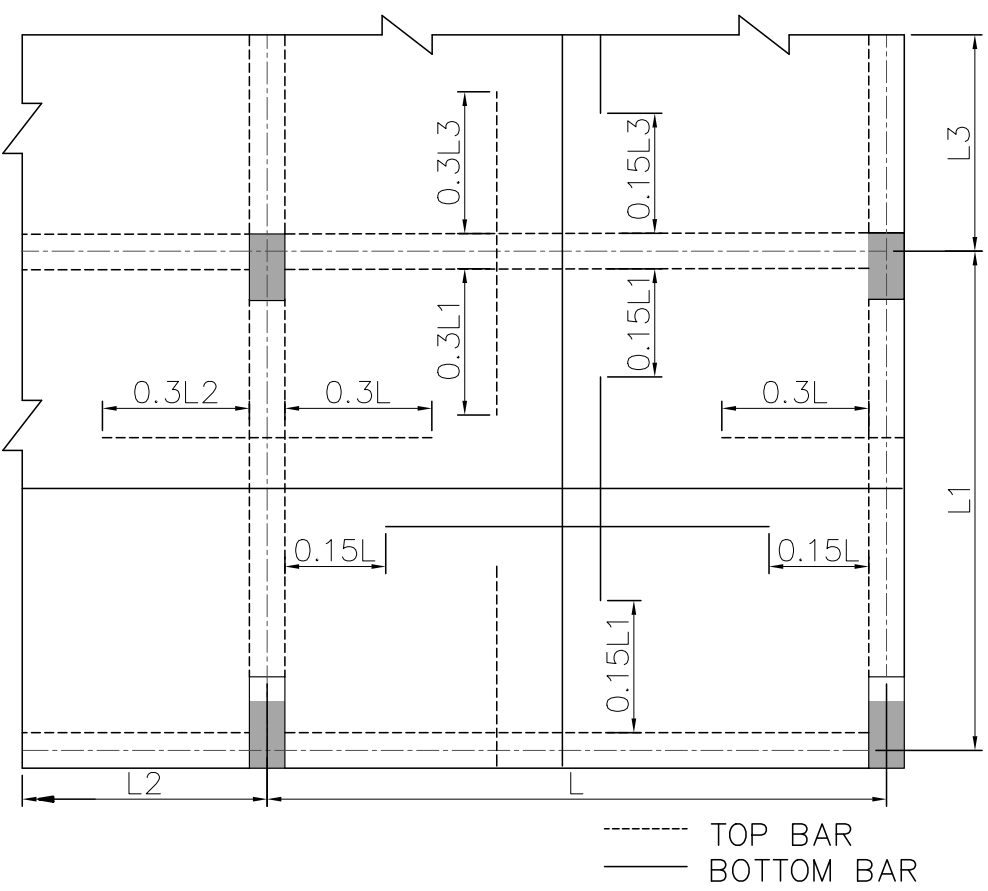
6TH FLOOR BEAM LAYOUT

SLAB SCHEDULE
GRADE OF CONCRETE - M25

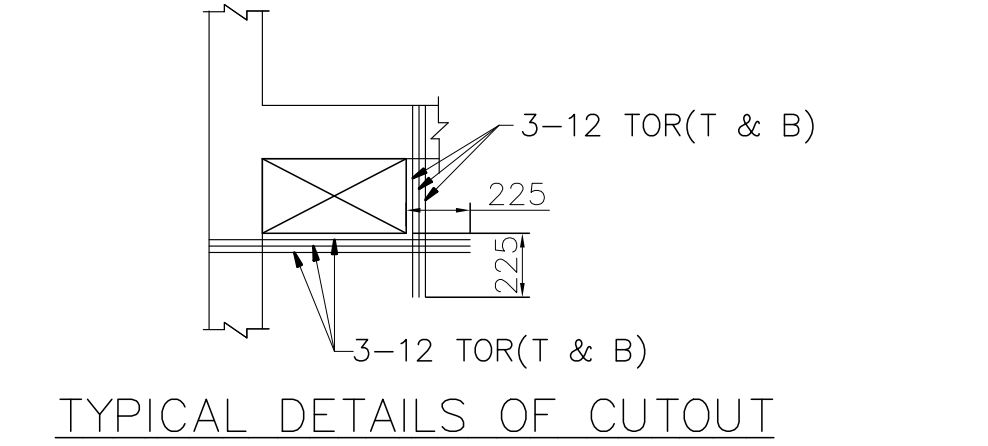
SLAB MKD	DEPTH	REINFT. AT SHORTER SPAN	REINFT. AT LONGER SPAN
S1	150THK.	T8 @250 C/C (ST.) T8 @250 C/C (CKD.)	T8 @300 C/C (ST.) T8 @300 C/C (CKD.)
S2	150THK.	T8 @250 C/C (ST.) T8 @250 C/C (CKD.)	T8 @350 C/C (ST.) T8 @350 C/C (CKD.)
S3, S3A	150THK.	T8 @150 C/C (TOP) T8 @150 C/C (BOT.)	T8 @200 C/C (TOP) T8 @200 C/C (BOT.)
S4	175THK.	T10 @300 C/C (ST.) T10 @300 C/C (CKD.)	T10 @400 C/C (ST.) T10 @400 C/C (CKD.)
S5	150THK.	T8 @150 C/C (TOP) T8 @150 C/C (BOT.)	T8 @200 C/C (TOP) T8 @200 C/C (BOT.)
S6	350THK.	T16 @150 C/C (TOP) T16 @150 C/C (BOT.)	T12 @200 C/C (TOP) T12 @200 C/C (BOT.)
S7	200THK.	T12 @150 C/C (TOP) T12 @150 C/C (BOT.)	T12 @200 C/C (TOP) T12 @200 C/C (BOT.)
S8	200THK.	T12 @300 C/C (ST.) T12 @300 C/C (CKD.)	T10 @300 C/C (ST.) T10 @300 C/C (CKD.)
S9	175THK.	T12 @300 C/C (ST.) T12 @300 C/C (CKD.)	T10 @300 C/C (ST.) T10 @300 C/C (CKD.)
S10	175THK.	T12 @300 C/C (ST.) T12 @300 C/C (CKD.)	T10 @300 C/C (ST.) T10 @300 C/C (CKD.)
S11	175THK.	T10 @300 C/C (ST.) T10 @300 C/C (CKD.)	T8 @300 C/C (ST.) T8 @300 C/C (CKD.)



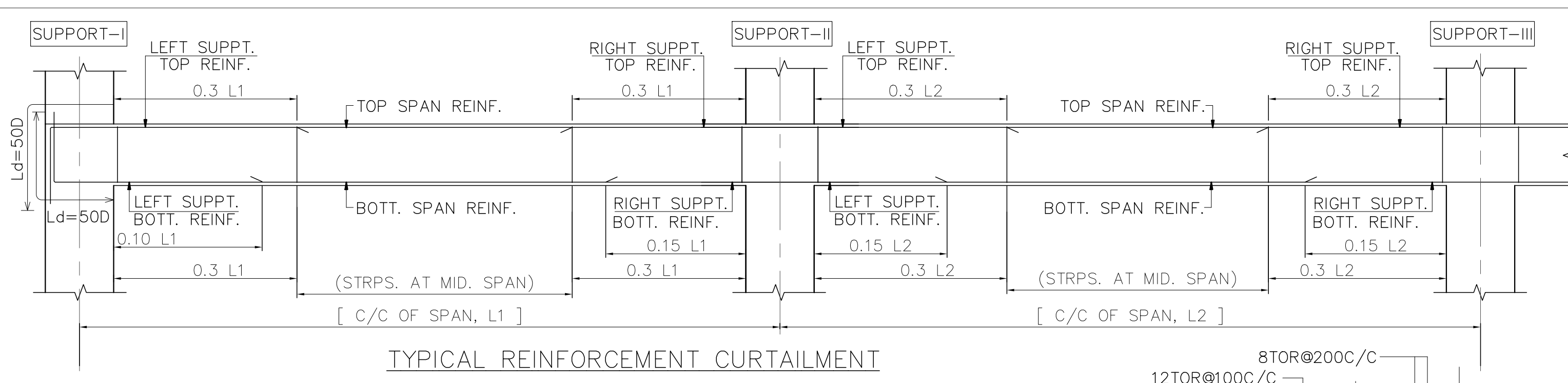
TYPICAL DETAILS OF S.C. (500X500)



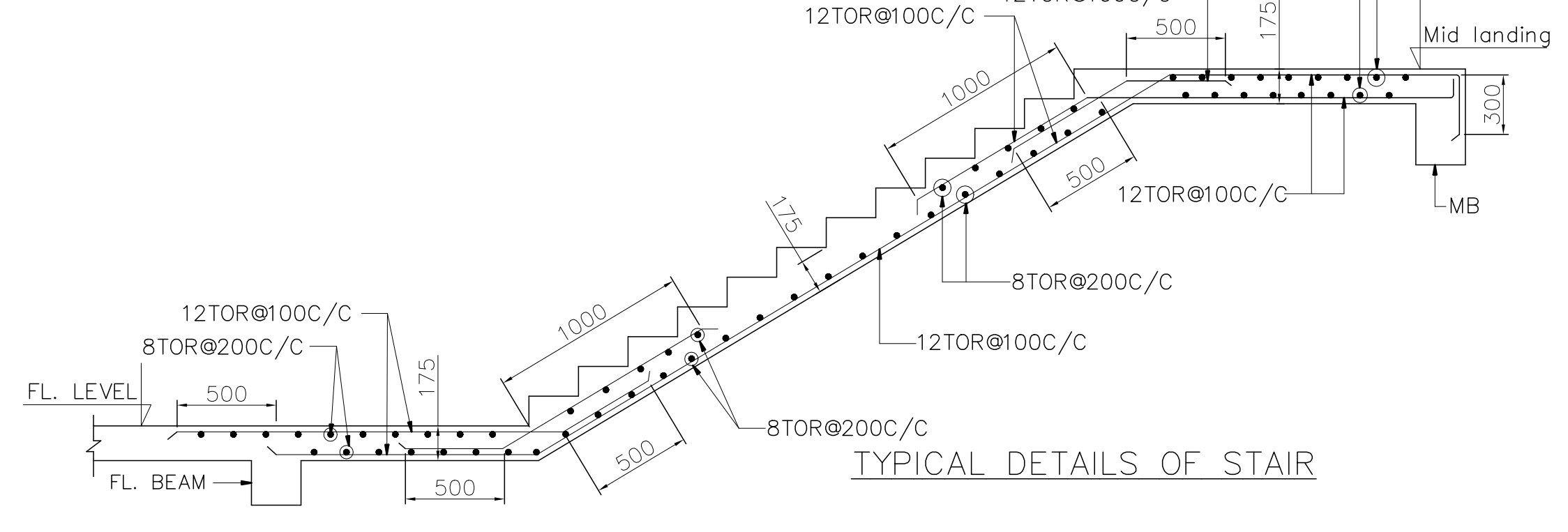
TYPICAL REINFORCEMENT CURTAILMENT DETAILS OF FLOOR SLAB



TYPICAL DETAILS OF CUTOUT



TYPICAL REINFORCEMENT CURTAILMENT



TYPICAL DETAILS OF STAIR

FLOOR BEAM SCHEDULE
GRADE OF CONCRETE - M25

BEAM MKD	BEAM SIZE		REINFT. AT LEFT SUPPT.		REINFT. AT RIGHT SUPPT.		REINFT. AT SPAN		STIRRUPS	
	WIDE	DEPTH	TOP	BOTTOM	TOP	BOTTOM	TOP	BOTTOM	SUPPORT	SPAN
B1	250	600	3-T25 +3-T25	2-T25 +2-T25	3-T25 +3-T25	2-T25 +2-T25	2-T25 +2-T25	2-T25 +2-T25	2L-T8 @100C/C	2L-T8 @200C/C
B1A	250	600	3-T25	2-T25	3-T25	2-T25	2-T25	3-T25	2L-T8 @100C/C	2L-T8 @200C/C
B1B	300	600	2-T16	4-T16	4-T16 +4-T16	4-T16	2-T16	4-T16	2L-T8 @100C/C	2L-T8 @200C/C
B2	250	600	3-T25	3-T25	3-T25	3-T25	3-T25	3-T25	2L-T8 @100C/C	2L-T8 @200C/C
B2A	250	600	2-T20	3-T16	3-T20 +3-T16	2-T16	2-T20	3-T16	2L-T8 @100C/C	2L-T8 @200C/C
B4	250	600	3-T25	3-T25	3-T25	3-T25	3-T25	3-T25	2L-T8 @100C/C	2L-T8 @200C/C
B5	250	600	2-T16	2-T16	2-T16	2-T16	2-T16	3-T16	2L-T8 @150C/C	2L-T8 @150C/C
B6	250	1450	3-T25 +3-T25 +2-T20	2-T25 +2-T25	3-T25 +3-T25 +2-T20	2-T25 +2-T25	3-T25 +3-T25 +2-T20	2-T25 +2-T25	2L-T8 @100C/C	2L-T8 @100C/C
B6A	250	1450	3-T25 +3-T25 +2-T20	3-T25	2-T25	3-T25	2-T25	3-T25	2L-T8 @100C/C	2L-T8 @100C/C
B6B	400	1450	3-T25 +3-T16	3-T16	3-T25 +3-T16	3-T16	2-T25	3-T16	4L-T8 @100C/C	4L-T8 @100C/C
B6C	400	1450	3-T25 +3-T25	2-T25	3-T25 +3-T16	2-T25	3-T25 +2-T25	2-T25 +2-T25	4L-T8 @100C/C	4L-T8 @100C/C
B6D	250	1450	3-T25	3-T25	3-T25	3-T25	3-T25	3-T25 +3-T25 +3-T25	2L-T8 @100C/C	2L-T8 @100C/C
B6E	250	1450	4-T16	2-T25 +2-T25	4-T16	2-T25 +2-T25	4-T16	2-T25 +2-T25	2L-T8 @100C/C	2L-T8 @100C/C
B6F	250	1450	2-T25 +1-T20	3-T25 +3-T25 +3-T25	2-T25 +3-T25 +3-T25	2-T25 +3-T25 +3-T25	2-T25 +3-T25 +3-T25	2-T25 +3-T25 +3-T25	2L-T8 @100C/C	2L-T8 @100C/C
B7	250	600	2-T25 +2-T20 +2-T20	3-T25 +2-T25	2-T25 +2-T20 +2-T20	2-T25 +2-T20 +2-T20	2-T25 +2-T20 +2-T20	2-T25 +2-T20 +2-T20	2L-T8 @100C/C	2L-T8 @200C/C
B8	400	1450	3-T25 +3-T25 +3-T25	3-T25	3-T25	3-T25	3-T25	3-T25 +3-T25 +3-T25	4L-T8 @100C/C	4L-T8 @200C/C
B9	250	600	2-T16	2-T16	2-T16	2-T16	2-T16	2-T16	2L-T8 @100C/C	2L-T8 @200C/C
B10A	450	400	3-T20	3-T20	5-T20 +5-T20	5-T20	3-T20	5-T20	4L-T8 @100C/C	4L-T8 @200C/C
B10	450	400	5-T25 +5-T20	5-T20	5-T20 +2-T20	2-T20	3-T20	5-T20 +2-T20	4L-T8 @100C/C	4L-T8 @200C/C
B10B	450	400	3-T16	6-T16	3-T16	6-T16	3-T16	6-T16	4L-T8 @100C/C	4L-T8 @200C/C
B11	600	400	4-T25	4-T20	8-T25	6-T20	4-T25	6-T20	4L-T10 @100C/C	4L-T10 @200C/C
B12	400	400	4-T25	4-T20	6-T25	6-T20	4-T25	4-T20	4L-T10 @100C/C	4L-T10 @200C/C
B13	200	600	2-T20 +2-T20	2-T20	2-T20 +2-T20	2-T20	2-T20	2-T20	2L-T8 @100C/C	2L-T8 @200C/C
B14	500	600	5-T20 +5-T20	5-T20	5-T20 +5-T20	5-T20	5-T20	5-T20	4L-T10 @100C/C	4L-T10 @200C/C
B15	500	600	6-T25 +4-T25	6-T25	6-T25 +6-T25	6-T25	6-T25	6-T25 +4-T25	4L-T10 @100C/C	4L-T10 @200C/C
B16	500	600	6-T25	6-T25	6-T25	6-T25	6-T25	6-T25	4L-T10 @100C/C	4L-T10 @200C/C
B17	1000	1200	11-T25 +11-T25	11-T25 +9-T25	11-T25 +11-T25 +9-T25	9-T25	11-T25 +11-T25 +9-T25	9-T25	10L-T10 @100C/C	10L-T10 @200C/C
B18	450	400	3-T25	5-T25	3-T25	5-T25	3-T25	5-T25	4L-T8 @100C/C	4L-T8 @200C/C
B19	400	400	5-T25	3-T20	3-T25	3-T20	3-T25	3-T20	4L-T8 @100C/C	4L-T8 @200C/C
B20	300	600	3-T20 +2-T20	3-T20	2-T20 +2-T16	2-T20	2-T20 +2-T16	2-T20 +2-T16	2L-T8 @100C/C	2L-T8 @200C/C
B21	500	600	3-T25	3-T20	5-T25	3-T20	3-T25	3-T20 +3-T20	4L-T8 @100C/C	4L-T8 @200C/C
B22	400	600	3-T25 +3-T20	3-T20	3-T25 +3-T20	3-T20	3-T25	3-T20 +3-T20	4L-T8 @100C/C	4L-T8 @200C/C
B23	450	600	3-T20	3-T20	3-T20	3-T20	3-T20	3-T20	4L-T8 @100C/C	4L-T8 @200C/C
B24	300	600	3-T25	3-T20 +2-T20	3-T25 +2-T20	2-T20	2-T25	3-T20 +2-T20	2L-T8 @100C/C	2L-T8 @200C/C
B24A	250	600	2-T16	2-T16	2-T16	2-T16	2-T16	2-T16	2L-T8 @100C/C	2L-T8 @100C/C
B25	750	1200	7-T20	7-T25	9-T20 +7-T25	7-T20	7-T20	7-T25 +7-T25 +7-T25	4L-T10 @100C/C	4L-T10 @200C/C
B25A	500	600	6-T25	6-T25	6-T25	6-T25	6-T25	6-T25	4L-T10 @100C/C	4L-T10 @200C/C
MB1	250	500	4-T16	2-T16	4-T16	2-T16	2-T16	4-T16	2L-T8 @100C/C	2L-T8 @200C/C
RAKER BEAM	250	500	4-T16	2-T16	4-T16	2-T16	2-T16	4-T16	2L-T8 @100C/C	2L-T8 @200C/C

NOTES:-

- ALL DIMENSIONS ARE IN MM. UNLESS OTHERWISE SPECIFIED.
- ANY AMBIGUITY IN THE DRAWINGS SHOULD BE BROUGHT TO THE NOTICE OF THE CONSULTANT BEFORE THE WORK.
- SUPER STRUCTURE : SUPER STRUCTURE SHALL BE BRICK IN 1:6 CEMENT MORTAR.
- THIS DRAWING IS TO BE READ ALONG WITH ARCHITECTURAL DRAWINGS.
- ALL GRADE OF CONCRETE M25
- ALL MATERIALS SHALL CONFORM TO RELEVANT I.S. CODES.
- FOR STEEL GRADE Fe 500
- ALL DISTRIBUTION BARS ARE 8 TOR @ 250 C/C AND TO BE PROVIDED WHEREVER REQUIRED.
- ALL CHAIRS ARE 10 TOR AND TO BE PROVIDED WHEREVER REQUIRED.
- ALL SPACER BARS ARE 25 TOR@ 900 C/C AND TO BE PROVIDED WHEREVER REQUIRED.
- LAPS, SPICES & BOND LENGTH SHOULD BE 50 D WHERE 'D' IS THE LARGEST BAR DIA.
- FOUNDATION & PLINTH : BRICKWORK IN FOUNDATION & PLINTH SHALL BE OF 1ST CLASS BRICK IN 1:6 CEMENT MORTAR.
- MINIMUM CLEAR COVER TO MAIN REINFORCEMENT IS AS FOLLOWS:
MEMBER TOP BOTTOM SIDE
a. FOUNDATION BEAM & SLAB 50 50 50
b. COLUMN 40 40 40
c. FLOOR BEAM 30 30 30
d. TIE BEAM 40 40 40
e. FLOOR SLAB 30 30 30
- THIS DRAWING IS THE PROPERTY OF M/S S.P.A CONSULTANT AND CANNOT BE COPIED OR USED WITHOUT THEIR WRITTEN PERMISSION.

PROJECT PROPOSED BASEMENT + GROUND + VII STORED RESIDENTIAL CUM COMMERCIAL BUILDING.

NAME OF OWNERS:

- SMT. RUKMA DEVI AGARWALLA
- SRI. NATWARLAL AGARWALLA
- SMT. ANITA DEVI AGARWALLA
- SRI. BINOD KUMAR AGARWALLA
- S/O. LATE AMILAL AGARWALLA
- SRI. BINODE BAJLA
- S/O. LATE CHOUTH MAL BAJLA

LOCATION : BHANUNAGAR, SILIGURI, WARD NO. 43(S.M.C.)

LAND SCHEDULE

MOUZA	: DABGRAM
PARGANA	: BAIKUNTHAPUR
J.L. NO.	: 02
PLOT NO.	: 258, 259(L.R.), 102, 254, 255(R.S.)
SHEET NO.	: 14(L.R.), 06, 07(R.S.)
KHATAN NO.	: 123, 217, 218(L.R.), 176/5, 449(R.S.)
P.S.	: BHAKTIAGAR
DIST.	: JALPAIGURI
WARD NO.	: 43 (S.M.C.)
HOLDING NO.	: VL/100/C/34, VL/100/C/35
LUCC MEMO NO.	: 13429/S/DA DATE - 24-Oct-2024

DECLARATION OF OWNER:-
I DO HEREBY DECLARE THAT THE BUILDING PROPOSED FOR CONSTRUCTION SHALL BE SUPERVISED BY THE B.A.L.B.S. SIGNING THE BUILDING PLAN APPLICATION OR IN HIS ABSENCE BY ANY OTHER B.A.L.B.S. OF THE APPROPRIATE CATEGORY AND AS APPROVED BY THE AUTHORITY.

SIGNATURE OF OWNER

DECLARATION OF ARCHITECT / L.B.S.
I DO HEREBY DECLARE THAT THE KEY PLAN, SITE PLAN AND THE BUILDING PLAN HAVE BEEN PREPARED UNDER MY SUPERVISION AND I SHALL BE RESPONSIBLE FOR THE SUPERVISION OF THE BUILDING.

DECLARATION OF STRUCTURAL ENGINEER
THE STRUCTURAL DESIGN AND DRAWING OF BOTH FOUNDATION AND SUPER STRUCTURE OF THE BUILDING HAS BEEN MADE BY ME CONSIDERING ALL POSSIBLE LOADS INCLUDING THE SEISMIC LOAD AS PER THE "NATIONAL BUILDING CODE" OF INDIA AND CERTIFIED THAT IT IS SAFE AND STABLE IN ALL RESPECT. MOREOVER I/W SHALL BE HELD RESPONSIBLE FOR ANY STRUCTURE DAMAGE/FAILURE HAPPENED DURING CONSTRUCTION PERIOD AND THEREAFTER BEYOND DATE OF TAKING OCCUPANCY CERTIFICATE.

SIGNATURE OF STRUCTURAL ENGINEER

TITLE
5TH & 6TH FLOOR BEAM LAYOUT, BEAM SCHEDULE AND SLAB SCHEDULE

ARCHITECT:-
GREEN ARCHITECTURE CONSULTING ENGINEERS PVT. LTD.

1ST FLOOR, B.R. AMBEDKAR COMPLEX, HILL CART ROAD, SILIGURI - 734003

STRUCTURAL ENGINEERS
S.P.A. CONSULTANTS

J4, RAM MOHAN DUTTA ROAD
CALCUTTA - 700029
PH. NO 2485-5448/5449, 2475-761 (TELE FAX)
E-mail: spa_cons@yahoo.co.in

DRAWN BY- R.S.	CHECKED BY- R.S.	DATE- 26.11.2024	SCALE : 1:100.25
JOB NO. 2024	121	SPA	GACE SILIGURI GREEN VIEW
DRG. NO. 2024/164/SPA/GACE/SILIGURI GREEN VIEW / CS-04			